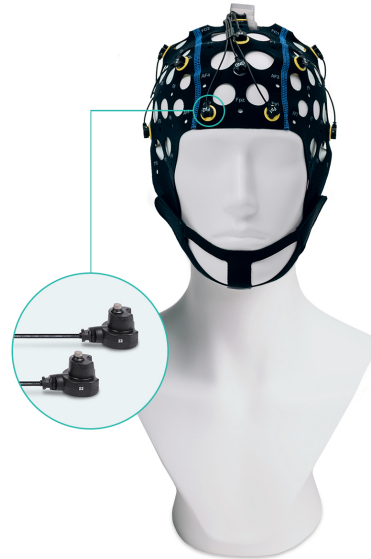


Electrode cap BASE cap for NeoRec 21 mini

Electrode cap for EEG system NeoRec 21 mini with removable EEG electrodes MCScap-E.

REF	Size	Head circumference
003-5-332	XL	60-66 cm
003-5-333	XL/L	57-63 cm
003-5-334	L	54-60 cm
003-5-335	L/M	51-57 cm
003-5-336	M	48-54 cm
003-5-337	M/S	45-51 cm
003-5-338	S	42-48 cm
003-5-339	S/XS	39-45 cm
003-5-340	XS	36-42 cm



INTENDED USE

EEG acquisition.

SET

- Electrode cap BASE cap for NeoRec 21 mini,
- MCScap-A ear fixator - 2 pcs.


DESCRIPTION

Electrode cap BASE cap for NeoRec 21 mini is the textile cap with pre-installed Ag/AgCl sintered MCScap-E electrodes with common connector for NeoRec 21 mini amplifier. The electrode cap is designed for non-invasive registration EEG when used with the EEG amplifier. The electrode cap is a reusable device.

Textile cap is made of elastic material, preserving the shape and size. The cap provides the exact position of the electrodes on the head without additional measurements and adjustments. Large holes are provided for ventilation and access to the electrodes and patient's skin. The cap is fixed on the head with the chin or chest belt. The caps are marked according to the 10-10 system. Size identification is carried out by the color of the seam.

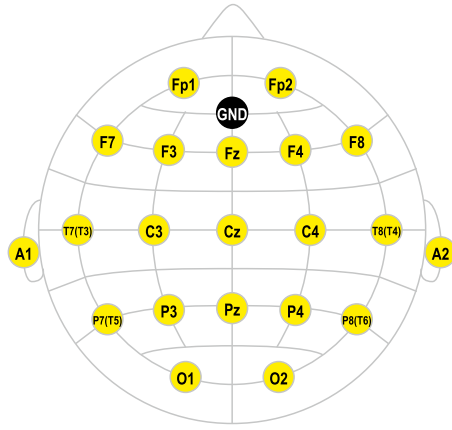
MCScap-E is a point Ag/AgCl sintered electrode for EEG recording. MCScap-E is designed for research that requires frequent installation and quick removal of electrodes for cleaning and disinfection. Used with MCScap textile caps with retaining rings. The Ag / AgCl sintered electrode material guarantees minimum polarization and long-term signal stability, as well as an increased electrode life. Electrode have additional labeling what makes easy to rearrange them to new textile base.

SPECIFICATION

Model of electrode cap	BASE cap for NeoRec 21 mini
Compatibility with amplifiers	NeoRec 21 mini
Electrode	 <p>MCScap-E</p>
Model of textile cap	MCScap 10-20 textile cap with fixing rings
Cable length	Without a cable, installing the amplifier on a pad on a cap
Location of the output of the electrode cable from the cap	top of the head
Marking of the textile cap	yes
Marking of the electrodes	yes
Weight of EEG cap	< 400 g
Material of electrode conductive surface	Ag/AgCl sintered
The need to use an electrode contact substance	required
Square of electrode conductive surface	4 mm ²
Internal diameter of the electrode at the point of contact of the electrode contact substance with the skin	8 mm
Surface area of contact of the electrode substance with the skin	50.2 mm ²
Outer diameter of the electrode at the point of contact with the skin	15.8 mm
Distance from the skin to the electrode conductive surface	0.7 mm
The diameter of the hole in the electrode to add gel	2.8 mm
Electrode polarization	≤ 50 mV
Resistance of electrodes insulation	≥ 1000 MΩ
Dielectric strength of electrodes insulation	1500 V
The impedance of the electrode	≤ 5 kΩ
Connector type	Molex 52885-0374
Number of EEG electrodes	22
Electrode positions	FP1, FP2, O1, O2, F3, F4, C3, C4, P3, P4, F7, F8, T7, T8, P7, P8, FZ, CZ, PZ, A1, A2, GND

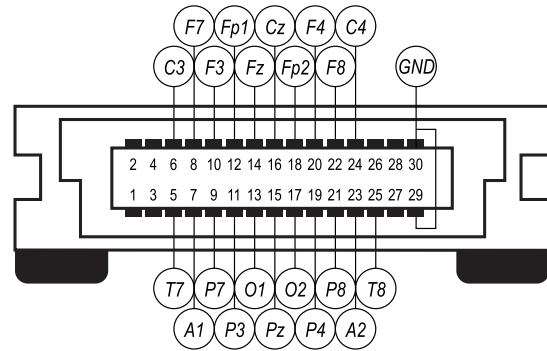


Scheme of electrode arrangement
 Manufacturer's code



#10EM22

Pin layouts of common connector
 Manufacturer's code



#10E-09M22