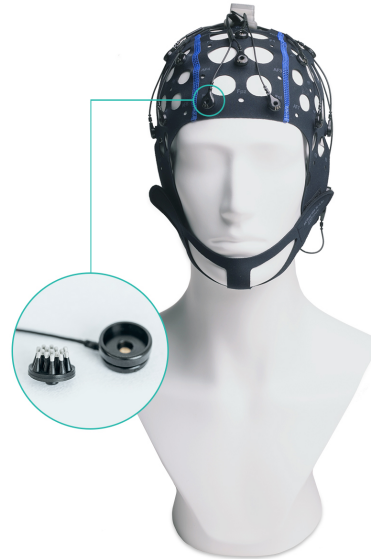


## Electrode cap DRY cap for NeoRec 21 mini

Electrode cap for EEG system NeoRec 21 mini with dry EEG electrodes MCScap-DrP1.

REF	Size	Head circumference
003-5-341	XL	60-66 cm
003-5-342	XL/L	57-63 cm
003-5-343	L	54-60 cm
003-5-344	L/M	51-57 cm
003-5-345	M	48-54 cm
003-5-346	M/S	45-51 cm
003-5-347	S	42-48 cm
003-5-348	S/XS	39-45 cm
003-5-349	XS	36-42 cm



### INTENDED USE

EEG acquisition.

### SET

- Electrode cap DRY cap for NeoRec 21 mini,
- MCScap-AT ear fixator - 2 pcs.


### DESCRIPTION

Electrode cap DRY cap for NeoRec 21 mini is the textile cap with pre-installed dry passive Ag/AgCl MCScap-DrP1 electrodes with common connector for NeoRec 21 mini amplifier. The electrode cap is designed for non-invasive registration EEG when used with the EEG amplifier. The electrode cap is a reusable device.

Textile cap is made of elastic material, preserving the shape and size. The cap provides the exact position of the electrodes on the head without additional measurements and adjustments. Large holes are provided for ventilation and access to the electrodes and patient's skin. The cap is fixed on the head with the chin or chest belt. The caps are marked according to the 10-10 system. Size identification is carried out by the color of the seam.

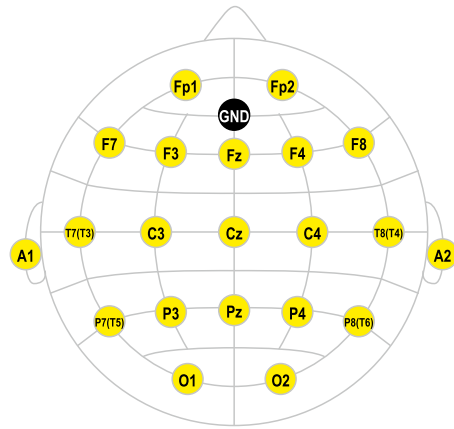
MCScap-DrP1 is a dry passive electrode for EEG acquisition. The electrode is used with Datawyler's SoftPulse™ sensors in a brush style with three different protrusion lengths. This design allows contact with the skin without adding gel. The Ag/AgCl electrode material guarantees minimum polarization and long-term signal stability. Electrode have additional labeling what makes easy to rearrange them to new textile base.

## SPECIFICATION

Model of electrode cap	DRY cap for NeoRec 21 mini
Compatibility with amplifiers	NeoRec 21 mini
Electrode	 <p>MCScap-DrP1</p>
Model of textile cap	MCScap textile cap
Cable length	Without a cable, installing the amplifier on a pad on a cap
Location of the output of the electrode cable from the cap	top of the head
Marking of the textile cap	yes
Marking of the electrodes	yes
Weight of EEG cap	< 350 g
Electrode type	passive
Material of electrode conductive surface	Ag/AgCl
The need to use an electrode contact substance	not required
Compatible sensors	SoftPulse™ (Datawyler): Flat, Medium, Long
Ingress Protection	IP67 (with sensor installed)
Electrode polarization	≤ 50 mV
Resistance of electrodes insulation	≥ 1000 MΩ
Dielectric strength of electrodes insulation	1500 V
The impedance of the electrode	≤ 5 kΩ
Connector type	Molex 52885-0374
Number of EEG electrodes	22
Electrode positions	FP1, FP2, O1, O2, F3, F4, C3, C4, P3, P4, F7, F8, T7, T8, P7, P8, FZ, CZ, PZ, A1, A2, GND

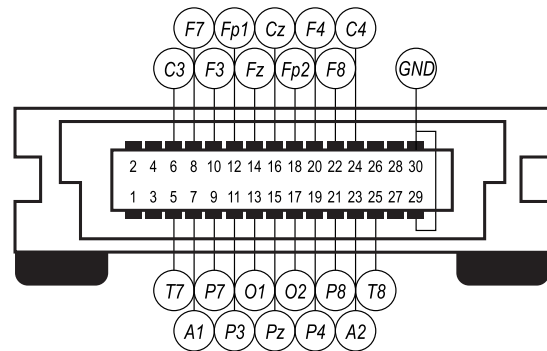


Scheme of electrode arrangement  
 Manufacturer's code



#10EM22

Pin layouts of common connector  
 Manufacturer's code



#10E-09M22